

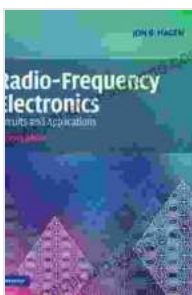
Unleash the Power of Radio Frequency Electronics: Exploring Circuits and Applications

Dive into the Fascinating World of RF Electronics with a Comprehensive Guide

Embark on an electrifying journey into the realm of radio frequency (RF) electronics with our meticulously crafted book, "Radio Frequency Electronics Circuits and Applications." This definitive guide unravels the intricacies of RF circuits, empowering engineers, students, and enthusiasts alike to unlock the full potential of high-frequency systems.

Comprehensive Coverage of RF Circuit Design

Immerse yourself in a comprehensive exploration of the fundamental concepts of RF circuit design. From basic principles to advanced applications, our book covers every aspect of RF technology, including:



Radio-Frequency Electronics: Circuits and Applications

by Jon B. Hagen

★★★★☆ 4.2 out of 5

Language : English
File size : 15114 KB
Text-to-Speech : Enabled
Screen Reader : Supported
Enhanced typesetting : Enabled
Print length : 453 pages
Lending : Enabled



- RF circuit components and their characteristics
- Circuit analysis techniques for RF systems
- Matching and impedance matching principles

li>Noise and linearity considerations

- High-frequency signal processing

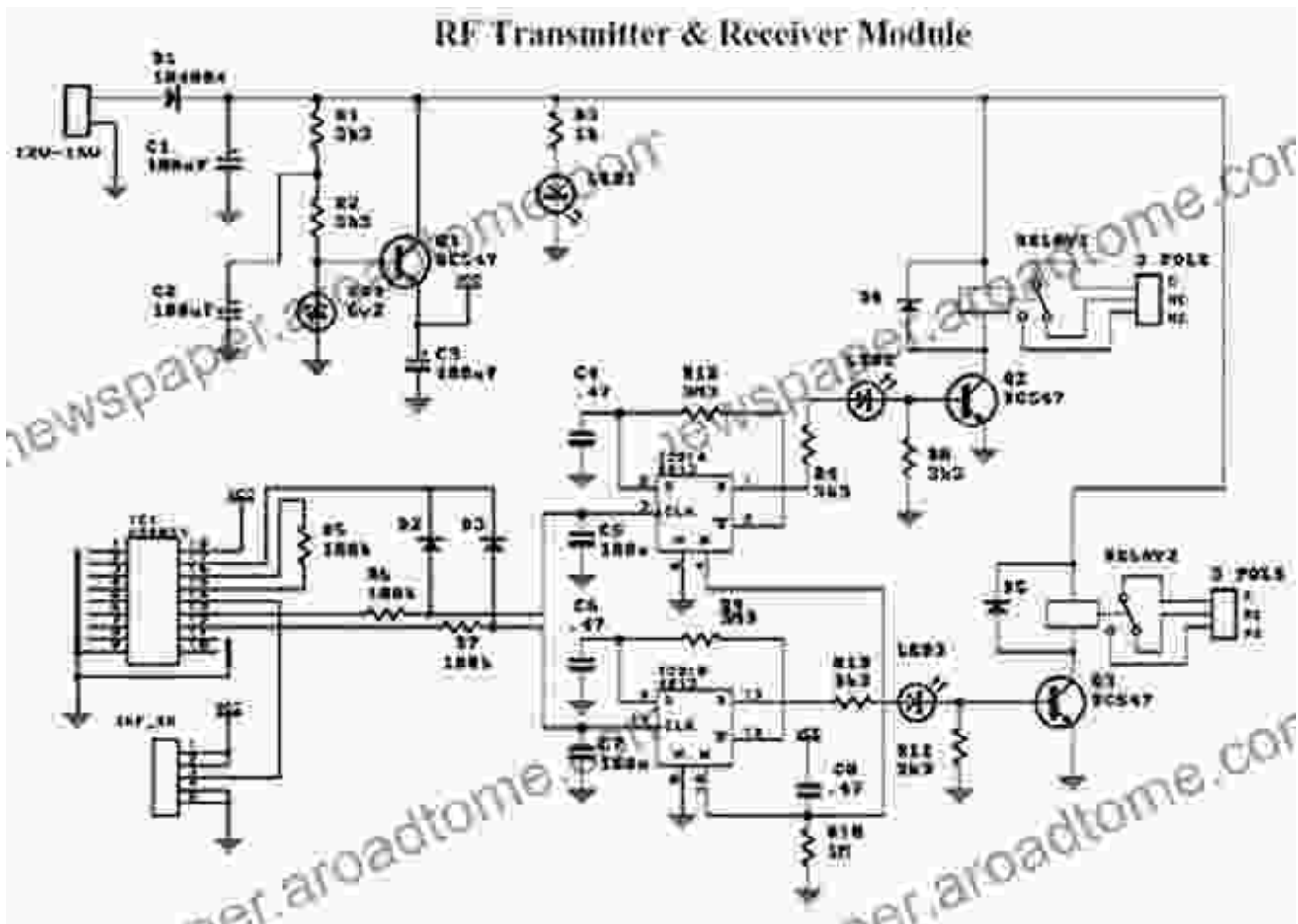
In-Depth Analysis of RF Circuit Applications

Beyond theoretical concepts, our book delves into the practical applications of RF circuits. Discover how RF technology drives cutting-edge developments in:

- Wireless communication systems
- Radar and sensor technology
- Medical imaging and diagnostics
- Satellite communications
- Microwave heating and industrial processes

Abundant Design Examples and Case Studies

Reinforce your understanding with a wealth of real-world examples and case studies. Our book provides step-by-step guidance on designing and implementing RF circuits, empowering you to confidently tackle industry-relevant projects.



Cutting-Edge Research and Future Trends

Stay ahead of the curve with insights into cutting-edge research and emerging trends in RF electronics. Our book keeps you informed about the latest advancements and inspires you to explore the forefront of innovation.

Key Features of Our Comprehensive Guide

- Fully illustrated with high-resolution images and diagrams
- End-of-chapter exercises and review questions to solidify understanding
- Expert insights and perspectives from renowned industry professionals

- Detailed appendix with essential formulas, tables, and references
- Complimentary online resources, including simulation software and design tools

Target Audience

Our book is an invaluable resource for:

- Electrical engineers and RF design specialists
- Students pursuing degrees in electrical engineering or related fields
- Electronics enthusiasts and hobbyists seeking a deeper understanding of RF technology
- Researchers and scientists exploring the frontiers of RF electronics

Benefits of Using Our Guide

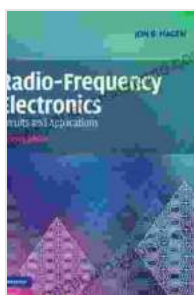
By investing in our book, you will:

- Gain a comprehensive understanding of RF circuit design and analysis
- Develop the skills to design and implement practical RF systems
- Stay abreast of the latest advancements and future trends in RF electronics
- Unlock the potential of high-frequency technology for a wide range of applications
- Elevate your career or research endeavors with cutting-edge knowledge

Free Download Your Copy Today and Elevate Your RF Expertise

Don't miss out on this opportunity to expand your knowledge and master the complexities of RF electronics. Free Download your copy of "Radio Frequency Electronics Circuits and Applications" today and embark on an electrifying journey into the world of high-frequency systems.

For more information, please visit our website or contact us directly. Our team is dedicated to providing you with the support and resources you need to excel in the field of RF electronics.

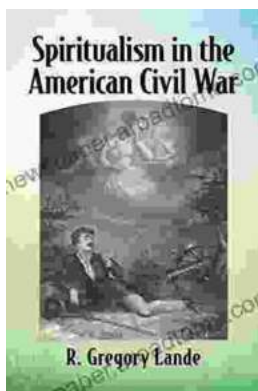


Radio-Frequency Electronics: Circuits and Applications

by Jon B. Hagen

★★★★☆ 4.2 out of 5

Language : English
File size : 15114 KB
Text-to-Speech : Enabled
Screen Reader : Supported
Enhanced typesetting : Enabled
Print length : 453 pages
Lending : Enabled



Spiritualism in the American Civil War

An Unseen Force in the Midst of Conflict The American Civil War, a bloody and protracted conflict that tore the nation apart, was not just a physical...



Empowering Healthcare Professionals: Discover the Comprehensive Handbook of Health Slater

Welcome to the world of comprehensive and accessible healthcare knowledge with the Handbook of Health Slater, an indispensable guide for healthcare professionals...